

OPERATING INSTRUCTIONS
AIR-CHIEF- “THE CHIEF”



1. **Front Adjustable Armrests (Rotate knob to set arm resting point)**
2. **Backrest Adjuster (Rotate to adjust to comfortable position – lay flat)**
3. **ICP- Install tetherbelt system here**
4. **Air-Lumbar Controls (Press and hold “+” to increase lumbar support, Press and hold “-“ to decrease lumbar support)**
5. **Seat Height adjustment control**
 - Press on arrow tip to raise seat.
 - Press on arrow origin to lower seat
6. **Isolator Lockout Control (Push left to Lock; Push right to unlock) {NOTE: Isolator does not work when there is no air in the suspension system}**
7. **Cushion Extension and Angle Adjustment (Lift up and pull out to adjust in 3 positions, Lift up and push in to shorten cushion)**
8. **Seat fore and Aft Adjustment (Pull lever to left to unlock and slide seat to desired position. Please make sure seat is locked into position after adjusting.)**



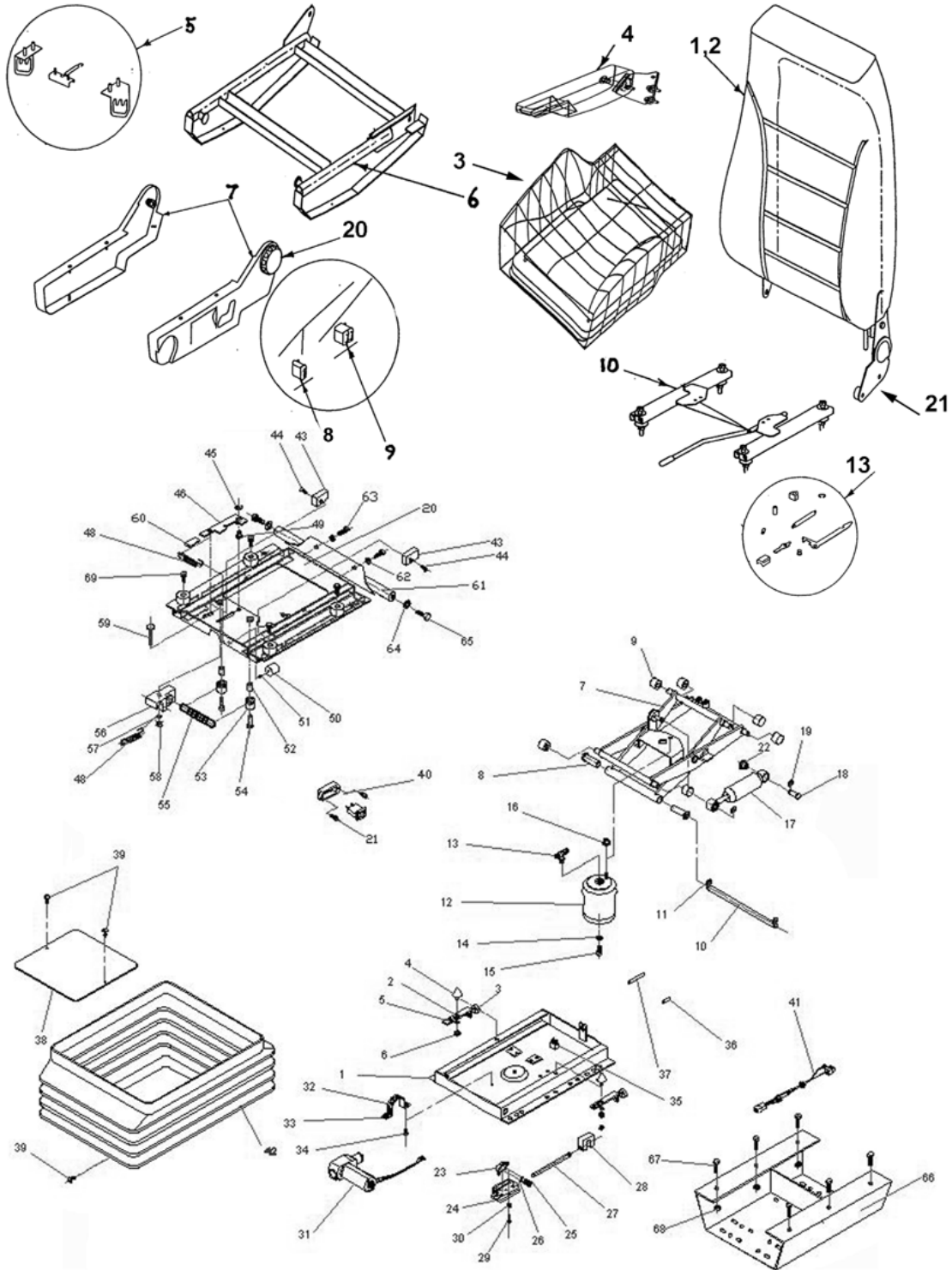
“THE CHIEF” SERVICE PARTS LISTING

Key	PARTNO.	Qty	Description	Key	PARTNO.	Qty	Description
	9417	1	CAP-LUMBAR-VAVLE-LOWER-BAG-SERV (NOT SHOWN)		730529-000	1	SUSP-P005-6IN-IS-SSH-BEL-ICP-RI-VK-PSTR (NOT SHOWN)
	9418	1	CAP-LUMBAR-VAVLE-UPPER-BAG-SERV (NOT SHOWN)		730530-000	1	SUSP-P005-6IN-IS-SSH-ICP-RI-VK-PSTR (NOT SHOWN)
5	730003-000	1	SEAT CUSHION BRACKETS KIT	12	730589-000	1	AIRSPRING (SEAT AFTER JAN 1ST 2005)
17	730008-064	1	SHOCK-KIT STANDARD (BEFORE JAN 1ST 2005)	31	730590-000	1	COMPRESSOR (12 VOLT)
17	730008-098	1	SHOCK-KIT MEDIUM (BEFORE JAN 1ST 2005)	31	730591-000	1	COMPRESSOR (24 VOLT)
17	730008-066	1	SHOCK-KIT HEAVY (BEFORE JAN 1ST 2005)	42	730592-000	1	BELLOW-KIT
12	730010-000	1	AIRSPRING (SEAT BEFORE 2005)	7	730593-000	1	SCISSORS KIT
8+9	730012-000	1	UPDOWN-LUMBAR-LH-VALVE-KIT-SERV-98	17	730594-000	1	SHOCK KIT (AFTER JAN 1ST 2005)
12	730016-000	1	CUSHION-BRACKETRY-KIT-SERV-CF	17	730597-000	1	SHOCK KIT (AFTER JAN 1ST 2005) HEAVY-DUTY
6	730027-000	1	SEAT-FRAME-KIT-SERV-98	61	730595-000	1	ICP-BAR-SERV-KIT
8	730028-000	1	VALVE-UP-DOWN-ELEC-LH-SERV-98		730598-000	1	ISOLATER HANDLE (NOT SHOWN)
9	730029-000	1	VALVE-LUMBAR-ELEC-LH-SERV-98	10	731010-000	1	SLIDES KIT (DUAL LOCKING)
8	730038-000	1	VALVE UP/DOWN RH	20	731136-000	1	RECLINER KNOB
8	730041-000	1	VALVE-UP-DOWN-ELEC-RH-SERV-98	8	9400-03	1	VALVE UP/DOWN LH
8+9	730070-000	1	UPDOWN-LUMBAR-RH-VALVE-KIT-SERV-98	9	9400-04	1	VALVE-LUMBAR-LH-SERVICE-9400
	730089-000	1	HANDLE_RECLINER_KIT_98_SERV (NOT SHOWN)	9	9400-05	1	HOSE-ASSEM-SERVICE-9400
9	730094-000	1	VALVE-LUMBAR-ELEC-RH-SERV-98	9	9400-260	1	VALVE-LUMBAR-RH-SERVICE-9400
3	730500-000	2	RUBBER STOPPER	4	9400-600-L-L21	1	ARMREST LH (REAL LEATHER)
4	730501-000	2	RUBBER STOPPER WITH SCREW	4	9400-600-L-L01	1	ARMREST LH (S-LEATHER)
8	730502-000	2	PLASTIC BUSH	4	9400-600-LV-31	1	ARMREST LH (VINYL)
9	730503-000	4	SCISSOR ROLER	4	9400-600-LC-31	1	ARMREST LH (CLOTH, VELOUR)
13	730505-000	1	"L" FITTING	4	9400-600-LC-31	1	ARMREST LH (TWEED)
27	730508-000	2	SWITCH ROD	4	9400-600-R-L21	1	ARMREST RH (REAL LEATHER)
28	730509-000	2	HEIGHT ADJUSTER SCISSOR PLASTIC	4	9400-600-R-L01	1	ARMREST RH (S-LEATHER)
32	730511-000	1	COMPRESSOR FIXING TAPE	4	9400-600-RV-31	1	ARMREST RH (VINYL)
33	730512-000	1	COMPRESSOR FIXING CLAMP	4	9400-600-RC-31	1	ARMREST RH (CLOTH, VELOUR)
35	730513-000	1	RELAY	4	9400-600-RC-31	1	ARMREST RH (TWEED)
39	730514-000	1	RUBBER BOOT CLIP	3	9800-124-L21	1	SEAT CUSHION (REAL LEATHER)
41	730516-000	1	ELECTRIC CABLE	3	9800-124-L01	1	SEAT CUSHION (S-LEATHER)
43	730518-000	1	SCISSOR LIMITER PLASTIC	3	9800-124-T31	1	SEAT CUSHION (TWEED)
	730519-000	1	RUBBER STOPPER	3	9800-124V-31	1	SEAT CUSHION (VINYL)
53	730520-000	1	ISOLATOR SPRING BUSH	3	9800-124C-31	1	SEAT CUSHION (CLOTH, VELOUR)
55	730522-000	1	ISOLATOR SPRING BUSH	1, 2	9800-325-CH-C51	1	BACK CUSHION (CLOTH, VELOUR)
56	730523-000	1	ISOLATOR SPRING HOLDER	1, 2	9800-325-CH-T31	1	BACK CUSHION (TWEED)
	730525-000	1	SUSP-P005-6IN-NIS-SSH-ICP-RI-VK-PSTR (NOT SHOWN)	1, 2	9800-325-CH-L01	1	BACK CUSHION (S-LEATHER)
				1, 2	9800-325-CH-L21	1	BACK CUSHION (LEATHER)
				1, 2	9800-325-CH-V31	1	BACK CUSHION (VINYL)
					9800-720-T31	1	HEADREST (NOT SHOWN)

Customer Service: 800-550-1150, www.knoedler.com, info@knoedler.com

Fax: 450-445-0086

“THE CHIEF” SERVICE PARTS LISTING





OPERATING INSTRUCTIONS
AIR-CHIEF- “THE CHIEF”

Seat Cushion & Backrest Cushion Ordering Information

1. The backrest assembly includes the frame, foam, upholstery cover and the back adjuster.
2. The seat cushion assembly, includes the seat board, foam, upholstery cover and tilt bracket hardware.
3. To order the correct Backrest or Seat cushion assembly, select the base number from the service parts list. Replace the (x) in the part number with a selection from the trim code table shown below.

Example: To order a Mid-back cushion in Grey Velour upholstery you would order a “9800-325-C35”.

THE CHIEF SERIES TRIM CODE TABLE

Color Code	Cloth	Velour	S-Leather
Black	-T31	-C51	-L01
Brown	-T38	-C32	-L02
Blue	-T36	-C34	
Grey	-T33	-C55	-L04
Red	-T32	-C56	-L05

Armrest Installation Instructions:

1. Locate the armrest bracket on the backrest, this is located under the upholstery.
2. Locate the top two threaded holes in the bracket. Top hole in the bracket is located 6.25 in above the bottom of the back frame tube. Only two bolts are required to fasten the armrest to the back frame.
3. Pierce the upholstery (keep hole as small as possible) so the armrest bolts can be installed into the threaded holes in the back frame. Two holes must be pierced in the upholstery for each armrest.
4. Install a bolt (M8X1.25-30mm) through the middle hole of the armrest bracket. Install the thick flat washer on the bolts between the armrest bracket and back frame.
5. Align the bolt with the top hole in the backrest frame. Install the bolt into the back frame and tighten until it is engaged, (4-5 turns), do not yet tighten securely.
6. Install the second bolt into the bottom hole of the armrest bracket. Install the thick flat washer on the bolt between the armrest bracket and the back frame.
7. Align the bolt (M8X1.25-30mm) with the remaining hole in the backrest frame. Install the bolt into the back frame and tighten until the armrest bracket is drawn against the back frame.
8. Tighten the top bolt securely.
9. Tighten the lower bolt securely.
10. Repeat steps 1 through 9 for armrest on the opposite side.